

Catalog No. **d₁** Form
SM 1275-41 M04 St



Stahl / steel M04 - M12
Niro M04 - M06



Niro M08 - M12



St: Stahl / steel
N: Nirosta / stainless steel



mm

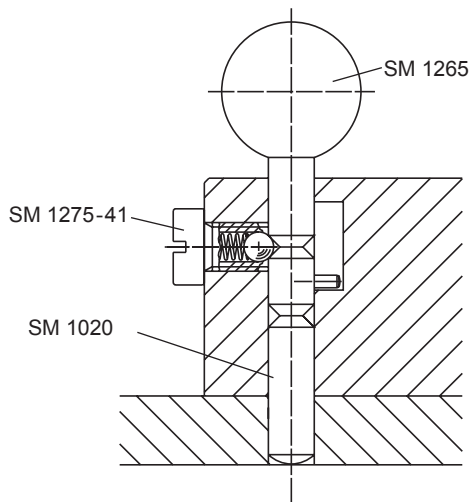


Zur Arretierung sowie als An- und Abdruckstifte.
Temperatureinsatzbereich: max. 250 °C.
To be used for locating or for applying pressure or lifting off.
Temperature range up to 250 °C



RoHS
Konform
Compliant

4



d ₁ ∅	€		d Kugel Ball	d ₂ ∅	l ₁	l ₂	l ₃	w	Druck [N] Pressure		kg
	Stahl St	Niro N							Anfang / Start F ₁	Ende / End F ₂	
M04	1,98	3,06	2,5	6	9,5	6,5	5,0	0,8	8,0	14,0	0,001
M05	2,09	3,31	3,0	8	12,5	8,5	6,7	0,9	8,0	14,0	0,002
M06	2,24	3,76	3,5	10	14,0	9,0	-	1,0	11,0	18,0	0,004
M08	2,56	4,92	4,5	13	16,5	11,0	-	1,5	18,0	31,0	0,007
M10	2,96	5,61	6,0	16	20,0	14,0	-	2,0	24,0	45,0	0,013
M12	3,16	6,51	8,0	18	22,0	15,0	-	2,5	26,0	49,0	0,020