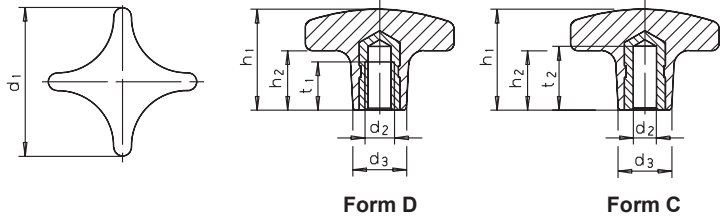


SM 1201

DIN 6335

Kreuzgriffe aus Kunststoff

Palm grips, plastic



Form D

Form C



| Catalog No. | Form | d ₁ | d ₂ | Material |
|-------------|------|----------------|----------------|----------|
| SM 1201 | D | 040 | M08 | MS |



Form C
Form D M05 - M10



Form D M12 - M20



Griff: Kunststoff
Buchse: - : Stahl, verzinkt
MS: Messing

Handle: plastic
Bushing: - : steel, zinc plated
MS: brass



mm



Form C: glattes Sackloch / blind bore

Form D: Gewindegewinde / threaded blind bore



RoHS
Konform
Compliant

Form D mit Gewinde / with thread

| d ₁ | d ₂ | € | d ₃ | h ₁ | t ₁ | h ₂ | kg |
|----------------|----------------|------|----------------|----------------|----------------|----------------|-------|
| Ø 025 | Ø M05 | 0,43 | 11,0 | 17 | 9,5 | 8 | 0,006 |
| 032 | M06 | 0,48 | 14,0 | 20 | 12,0 | 10 | 0,011 |
| 040 | M08 | 0,64 | 17,5 | 26 | 14,0 | 13 | 0,018 |
| 050 | M10 | 0,96 | 22,0 | 33 | 18,0 | 20 | 0,030 |
| 063 | M12 | 1,66 | 27,0 | 40 | 22,0 | 25 | 0,060 |
| 080 | M16 | 3,39 | 34,0 | 50 | 30,0 | 30 | 0,120 |
| 100 | M20 | 7,37 | 34,0 | 65 | 30,0 | 38 | 0,212 |

Form C glatte Bohrung H7 / with boring H7

| d ₁ | d ₂ | € | t ₂ | d ₃ | h ₁ | h ₂ | kg |
|----------------|----------------|------|----------------|----------------|----------------|----------------|-------|
| Ø 025 | Ø 05 | 1,19 | 7 | Ø 10 | 17 | 8 | 0,006 |
| 032 | 06 | 0,89 | 14 | 12 | 21 | 10 | 0,011 |
| 040 | 08 | 1,00 | 16 | 14 | 26 | 13 | 0,018 |
| 050 | 08 | 1,11 | 16 | 18 | 34 | 20 | 0,032 |
| 050 | 10 | 1,19 | 21 | 18 | 34 | 20 | 0,030 |
| 063 | 10 | 1,50 | 21 | 20 | 42 | 25 | 0,063 |
| 063 | 12 | 1,71 | 25 | 20 | 42 | 25 | 0,060 |
| 080 | 16 | - | 32 | 25 | 52 | 30 | 0,120 |

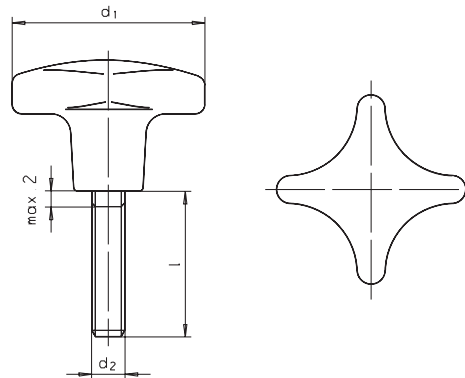
SM 1201-1

DIN 6335

Kreuzgriffschrauben aus Kunststoff

Palm grip screws, plastic

5



| Catalog No. | d ₁ | d ₂ | X | l |
|-------------|----------------|----------------|---|----|
| SM 1201-1 | 040 | M08 | X | 25 |



M06 - M10



M12 - M16



Kunststoff
Stahlschraube verzinkt
plastic
steel screw zinc plated



mm



Zwischengrößen



RoHS
Konform
Compliant

| d ₁ | d ₂ | l _{max} | d ₃ | h | h ₁ | Länge l | | | | | | | | | |
|----------------|----------------|------------------|----------------|----|----------------|---------|------|----|------|----|------|----|------|----|------|
| Ø | Ø | | Ø | | | € | | | | | | | | | |
| 025 | M05 | 50 | 11,0 | 17 | 9 | 10 | 0,70 | 15 | 0,73 | 20 | 0,75 | 30 | 0,78 | - | - |
| 032 | M06 | 80 | 14,0 | 20 | 10 | 20 | 0,65 | 25 | 0,67 | 30 | 0,68 | 35 | 0,72 | 45 | 0,70 |
| 040 | M08 | 90 | 17,5 | 26 | 15 | 20 | 0,87 | 25 | 0,87 | 30 | 0,92 | 40 | 0,98 | 55 | 1,18 |
| 050 | M10 | 80 | 22,0 | 33 | 20 | 25 | 1,29 | 30 | 1,35 | 35 | 1,39 | 45 | 1,47 | 55 | 1,49 |
| 063 | M12 | 80 | 27,0 | 40 | 23 | 30 | 2,02 | 35 | 2,05 | 40 | 2,08 | 50 | 2,10 | 60 | 2,09 |
| 080 | M16 | - | - | - | - | 30 | 3,64 | 40 | 3,69 | 50 | 3,88 | 60 | 4,04 | 70 | 3,91 |