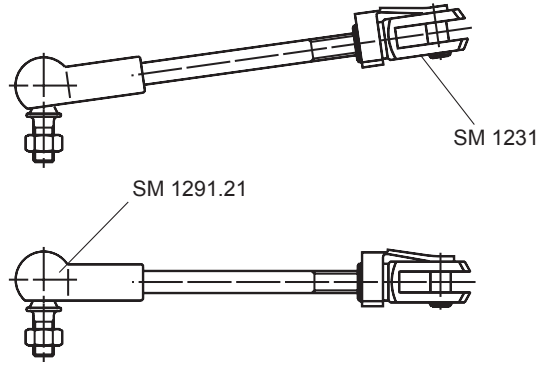


Form CS



| Catalog No. | Code | Direction | Material |
|-------------|------|-----------|----------|
| SM 1291.21  | .005 | R         | NI       |

ST: Stahl, verzinkt / steel, zinc plated  
NI: Edelstahl rostfrei, 1.4305 / stainless steel

mm

**Form CS:** mit Sicherungsbügel und Sechskantmutter, Schwenkwinkel 15°

R = Rechtsgewinde  
L = Linksgewinde

**Form CS:** with hexagon nut and safety bar, angle of rotation 15°

R = right-hand thread  
L = left-hand thread

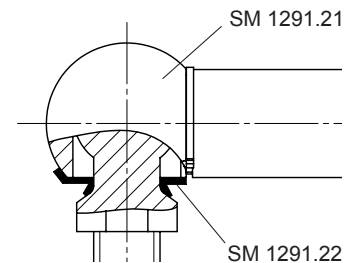
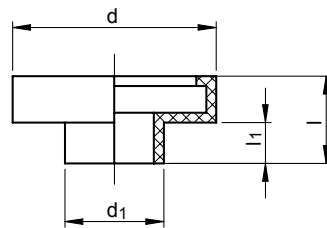
M04 aus Kunststoff (Kugelpfanne POM)

M04 plastic (ball socket POM)



| Code | b <sub>1</sub><br>∅ | c    | d<br>±0,3 | d <sub>1</sub><br>∅<br>Kugel<br>h9 | d <sub>2</sub><br>∅ | d <sub>3</sub><br>∅<br>±0,5 | e<br>min. | h<br>±0,3 | SW | kg    |
|------|---------------------|------|-----------|------------------------------------|---------------------|-----------------------------|-----------|-----------|----|-------|
| 005  | M05                 | 10,2 | 09        | 08                                 | 08                  | 12,8                        | 10,2      | 22        | 07 | 0,015 |
| 010  | M06                 | 12,5 | 11        | 10                                 | 10                  | 14,8                        | 11,5      | 25        | 08 | 0,025 |
| 015  | M08                 | 16,5 | 13        | 13                                 | 13                  | 19,3                        | 14,0      | 30        | 11 | 0,053 |
| 020  | M10                 | 20,0 | 16        | 16                                 | 16                  | 24,0                        | 15,5      | 35        | 13 | 0,104 |
| 025  | M12                 | 20,0 | 16        | 16                                 | 16                  | 24,0                        | 15,5      | 35        | 13 | 0,104 |
| 030  | M14x1,5             | 28,0 | 20        | 19                                 | 22                  | 30,0                        | 21,5      | 45        | 16 | 0,221 |
| 035  | M14x2,0             | 28,0 | 20        | 19                                 | 22                  | 30,0                        | 21,5      | 45        | 16 | 0,221 |
| 040  | M16                 | 28,0 | 20        | 19                                 | 22                  |                             | 21,5      | 45        | 16 | 0,221 |

**SM 1291.22** Dichtungskappe für Winkelgelenk SM1291.21  
Dust cap for angle ball joint



| Catalog No. | d    |
|-------------|------|
| SM 1291.22  | 12.0 |



Gummi, schwarz / rubber, black

Schutz vor Eindringen von Schmutz in Winkelgelenke SM 1291.21.  
Temperatureinsatzbereich bis 110°C.

Protection against penetration of dirt in angle joints SM 1291.21.  
Temperature range up to 110°C.

mm

| d<br>∅ | d <sub>1</sub><br>∅ | l    | l <sub>1</sub> | für Winkelgelenke /<br>for angle joints<br>SM 1291.21 | kg    |
|--------|---------------------|------|----------------|---|-------|
| 12,0   | 5,5                 | 4,5  | 1,5            | SM 1291.21.005  | 0,001 |
| 13,5   | 7,0                 | 6,5  | 3,5            | SM 1291.21.010  | 0,001 |
| 17,5   | 8,5                 | 7,5  | 3,5            | SM 1291.21.015  | 0,001 |
| 22,0   | 10,5                | 8,5  | 4,5            | SM 1291.21.020 / 025                                  | 0,002 |
| 25,5   | 12,5                | 12,5 | 7,0            | SM 1291.21.030 / 035 / 040                            | 0,002 |

