

SM 1080

DIN 6316



Catalog No.	b ₁	X	l	Material
SM 1080	22	X	160	ST

Vergütungsstahl, lackiert
heat treated steel, varnished

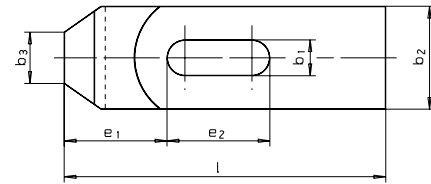
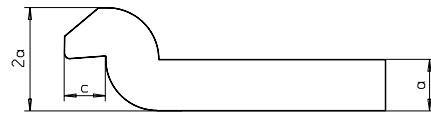
mm

Aluminium

* Abmessungen nicht nach DIN
dimensions not according to DIN

Spanneisen, einfach gekröpft

Clamps with goose-neck



b ₁	l	a	b ₂	b ₃	c	e ₁	e ₂	kg
6,6	060	10	20	10	8	22,0	20	0,080
9,0	080	12	25	12	9	27,5	25	0,167
11,0	100	15	30	15	12	36,0	32	0,300
14,0	125	20	40	20	16	44,0	40	0,680
18,0	125*	25	50	25	20	51,5		1,050
	160						50	1,370
22,0	160*	30	60	30	24	59,0	55	1,912
	200						70	2,417
26,0	200*	35	70	35	28	76,5	60	3,315
	250						80	4,135
33,0	250*	40	80	40	40	96,0		5,226
	315						100	8,460
43,0*	400	60	100	50	50	105,0	120	17,080

SM 1083

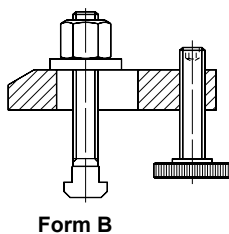
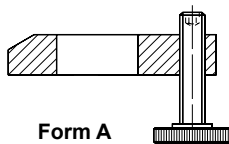


Catalog No.	Form	a
SM 1083	B	12

Vergütungsstahl, lackiert
heat treated steel, varnished

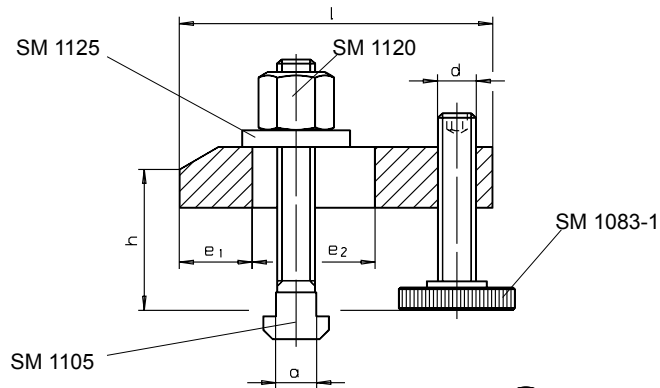
andere Größen
other dimensions

mm



Spanneisen verstellbar, gerade

Adjustable plain clamp with adjusting screw



a	h	ähnl. / like DIN 6314 b ₁ x l	SM 1105 T-Nutenschraube T-bolts	d	e ₁	e ₂	kg
Form A							
10	8 - 37	11 x 80	-	M10	15	30	0,200
12 + 14	10 - 47	14 x 100	-	M12	21	40	0,560
16 + 18	13 - 52	18 x 125	-	M16	26	45	1,110
20 + 22	16 - 65	22 x 160	-	M20	30	60	2,050
24 + 28	20 - 83	26 x 200	-	M24	35	80	3,200
Form B							
10	8 - 32	11 x 80	M10 x 10 x 080	M10	15	30	0,340
12	10 - 40	14 x 100	M12 x 12 x 100	M12	21	40	0,700
14	10 - 38		M12 x 14 x 100				0,720
16	13 - 48	18 x 125	M16 x 16 x 125	M16	26	45	1,400
18	13 - 46		M16 x 18 x 125				1,400
20	16 - 65	22 x 160	M20 x 20 x 160	M20	30	60	2,600
22			M20 x 22 x 160				2,770