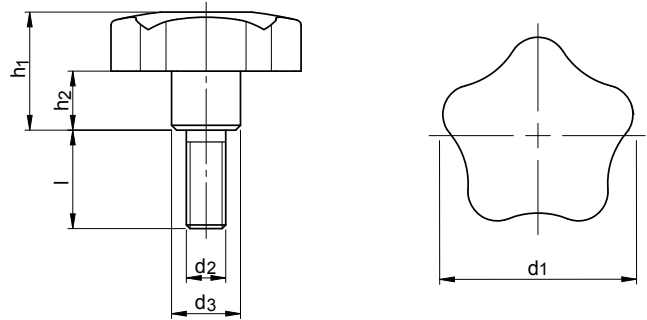


# SM 1205-4

# Sterngriffschraube Edelstahl rostfrei

Star knob with threaded bolt, stainless steel



Catalog No.	d <sub>1</sub>	d <sub>2</sub>	X	l
SM 1205-4	60	M12	X	40



Edelstahl rostfrei 1.4301  
stainless steel 1.4301



aus Edelstahl-Blech gezogen, matt gestrahlt, Nabe mit Schraube stumpf aufgeschweißt

Hub with screw butt-welded, matt shot-blasted, knob drawn from stainless steel-sheet.



Edelstahl rostfrei 1.4404 (A4) / stainless steel 1.4404 (A4)



mm



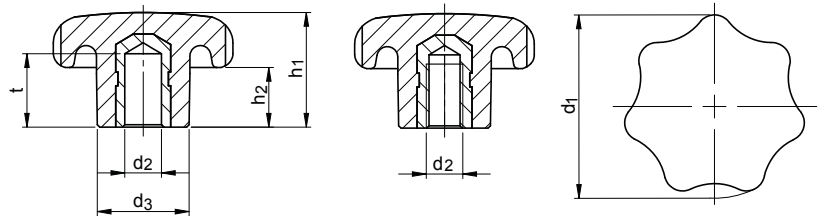
d <sub>1</sub>	d <sub>2</sub>	l	d <sub>3</sub>	h <sub>1</sub> ≈	h <sub>2</sub> ≈	kg
∅	∅		∅			
40	M08	20	14	24,0	12,0	0,050
		30				0,055
		40				0,056
50	M10	20	18	30,0	16,5	0,095
		30				0,097
		40				0,100
60	M12	20	20	37,5	20,0	0,148
		30				0,155
		40				0,162
		50				0,169

# SM 1206

DIN 6336

# Sterngriff Kunststoff

Star knob, plastic



Form C

Form D



Catalog No.	Form	d <sub>1</sub>	d <sub>2</sub>	Material
SM 1206	D	40	M08	MS



Kunststoff, Duroplast (PF 31 DIN 7708), glänzend schwarz ähnlich RAL 9005  
Buchse **ST**: Stahl verzinkt  
Buchse **MS**: Messing

plastic, Duroplast, black shining  
bushes **ST**: steel, zinc plated  
bushes **MS**: brass



**Form C**: glattes Sackloch / blind bore  
**Form D**: Gewindefackloch / threaded blind bore  
Kombinierbar mit SM 1241.  
You can combine with SM 1241.



Form C mit Querbohrung  
Buchse, Griff Thermoplast  
bushing, grippTechnopolymer (Polyamide PA)



mm



Form D mit Gewinde / with thread								
d <sub>1</sub>	d <sub>2</sub>			t	d <sub>3</sub>	h <sub>1</sub>	h <sub>2</sub>	kg
	∅	ST	MS					
20	-	M04	-	6,5	10	13	6	0,004
25	M05	M05	M05	8,5	12	16	8	0,006
32	M06	M06	M06	12	14	20	10	0,012
40	M08	M08	M08	14	18	25	13	0,021
50	M10	M10	M10	18	22	32	17	0,041
63	M12	M12	M12	22	26	40	21	0,075
80	M16	M16	M16	30	35	50	25	0,135

Form C glatte Bohrung / with boring							
d <sub>1</sub>	d <sub>2</sub> H7		t	d <sub>3</sub>	h <sub>1</sub>	h <sub>2</sub>	kg
	∅	ST					
32	06	06	14,0	14	20	10	0,012
40	08	08	16,0	18	25	13	0,021
50	10	10	21,0	22	32	17	0,041
63	12	12	25,0	26	40	21	0,075
80	16	16	32,0	35	50	25	0,135